



KATALOG 2018.



w w w . c r o a t i a - c o v e r . h r



CITROËN 1501

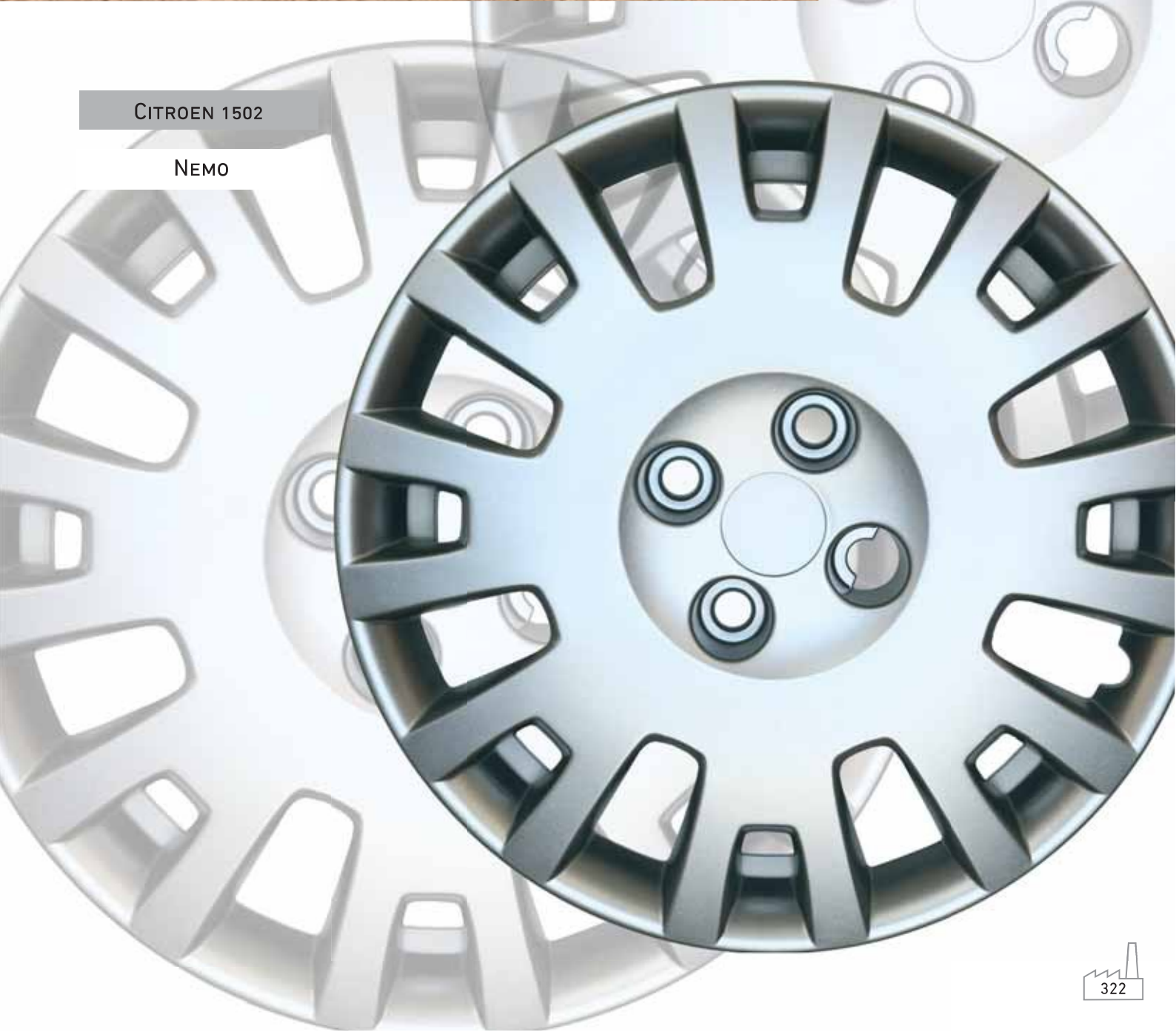
C4
C5





CITROËN 1502

NEMO





CITROËN 1601

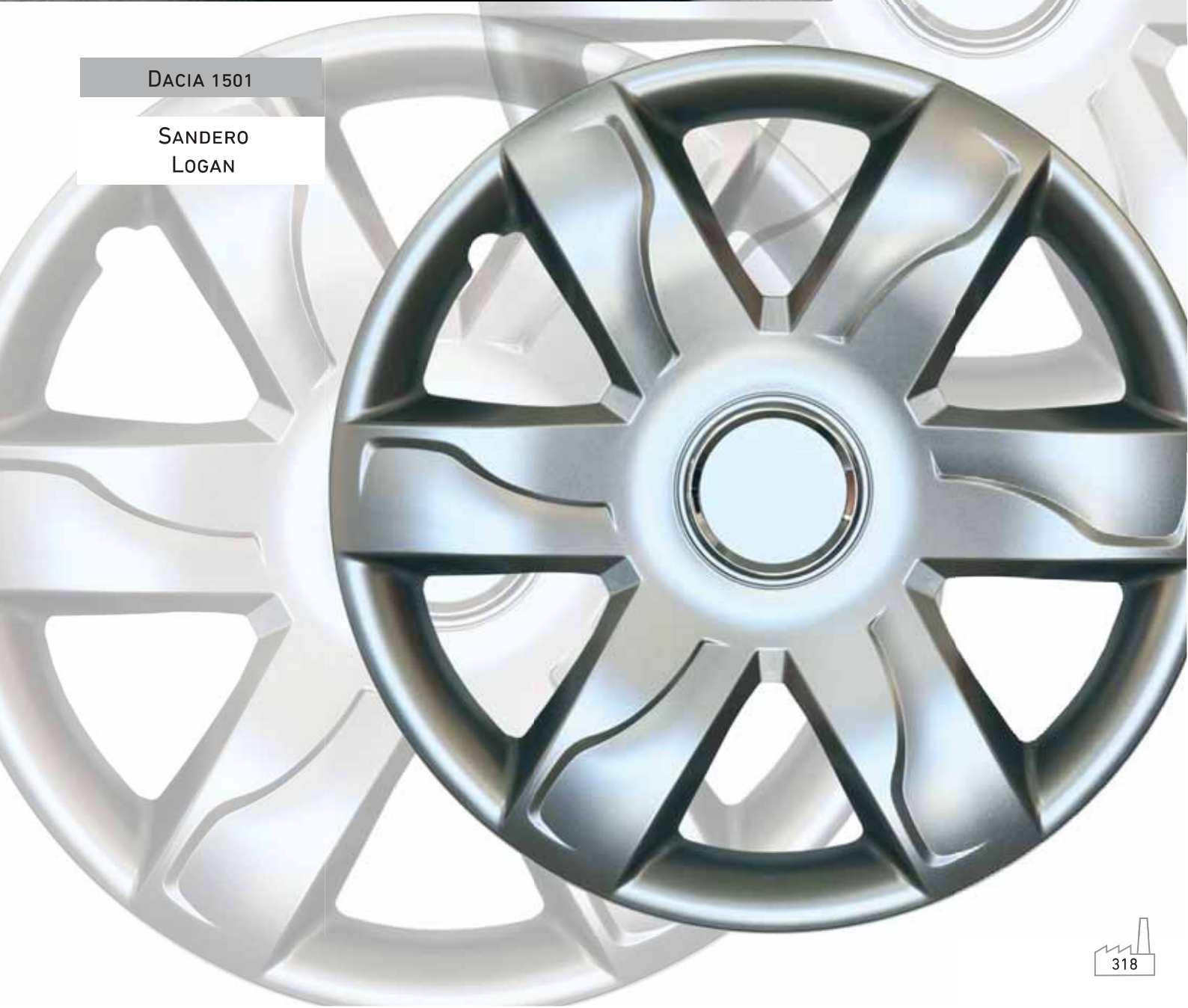
C4 PICASSO
C5





DACIA 1501

SANDERO
LOGAN





DACIA 1601

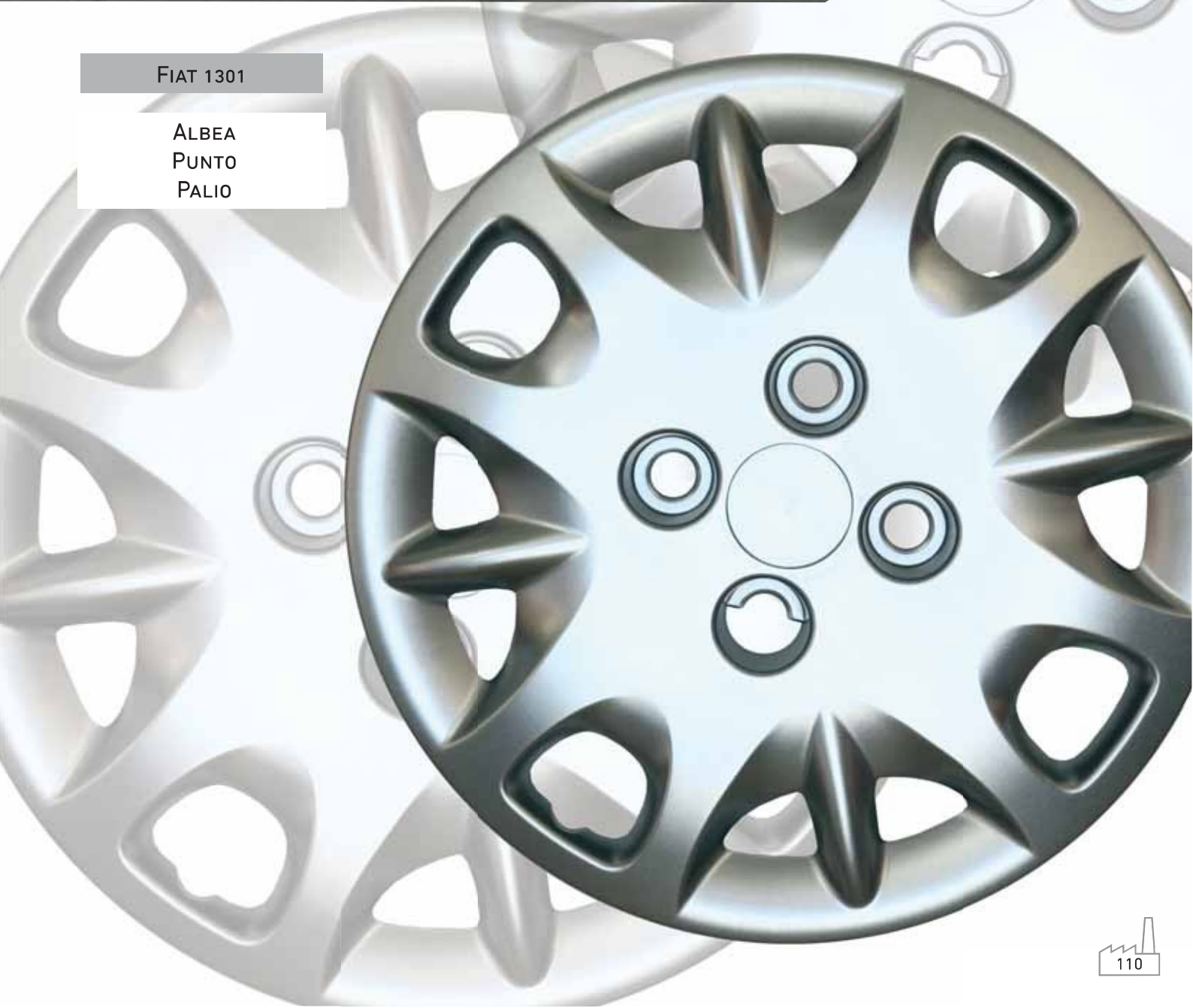
SANDERO STEPWAY





FIAT 1301

ALBEA
PUNTO
PALIO





FIAT 1401

ALBEA
PUNTO
PALIO





FIAT 1501

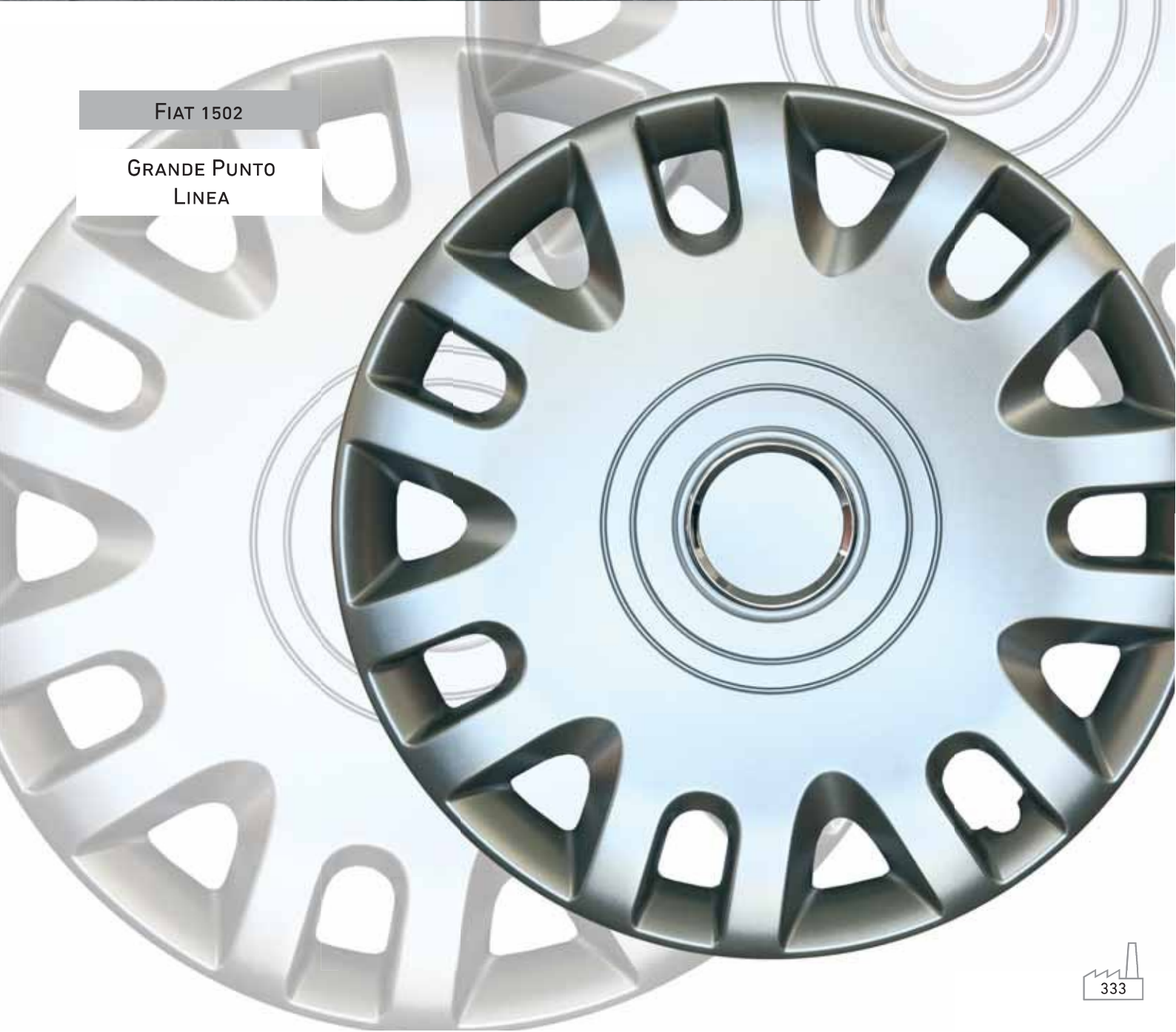
FIORINO





FIAT 1502

GRANDE PUNTO
LINEA





FIAT 1601

DUCATO





FORD 1501

Focus





FORD 1601

MONDEO
GALAXY





FORD 1602

TRANSIT





FORD 1603

TRANSIT





HYUNDAI 1501/KIA 1501

i30
CEE'D

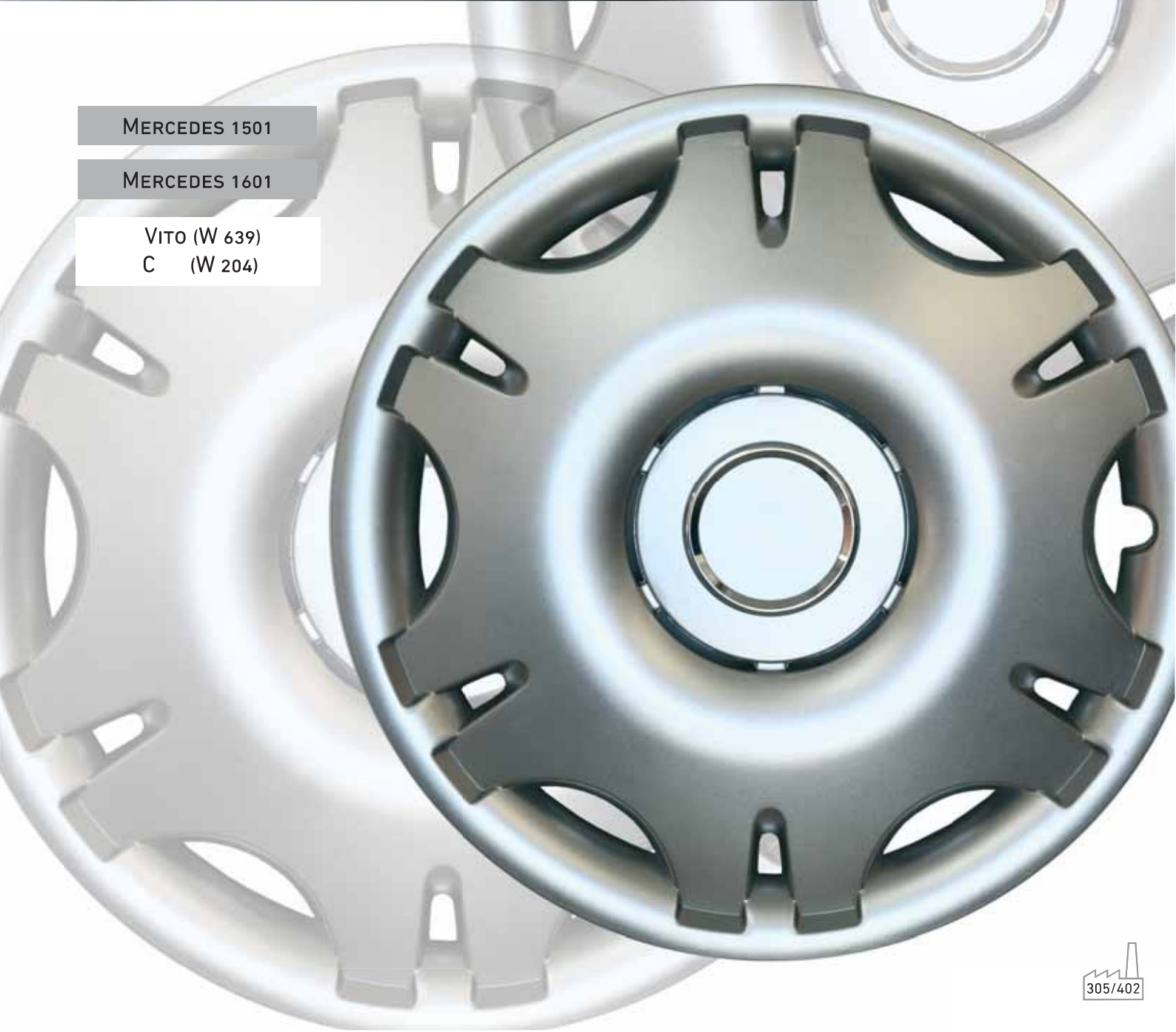




MERCEDES 1501

MERCEDES 1601

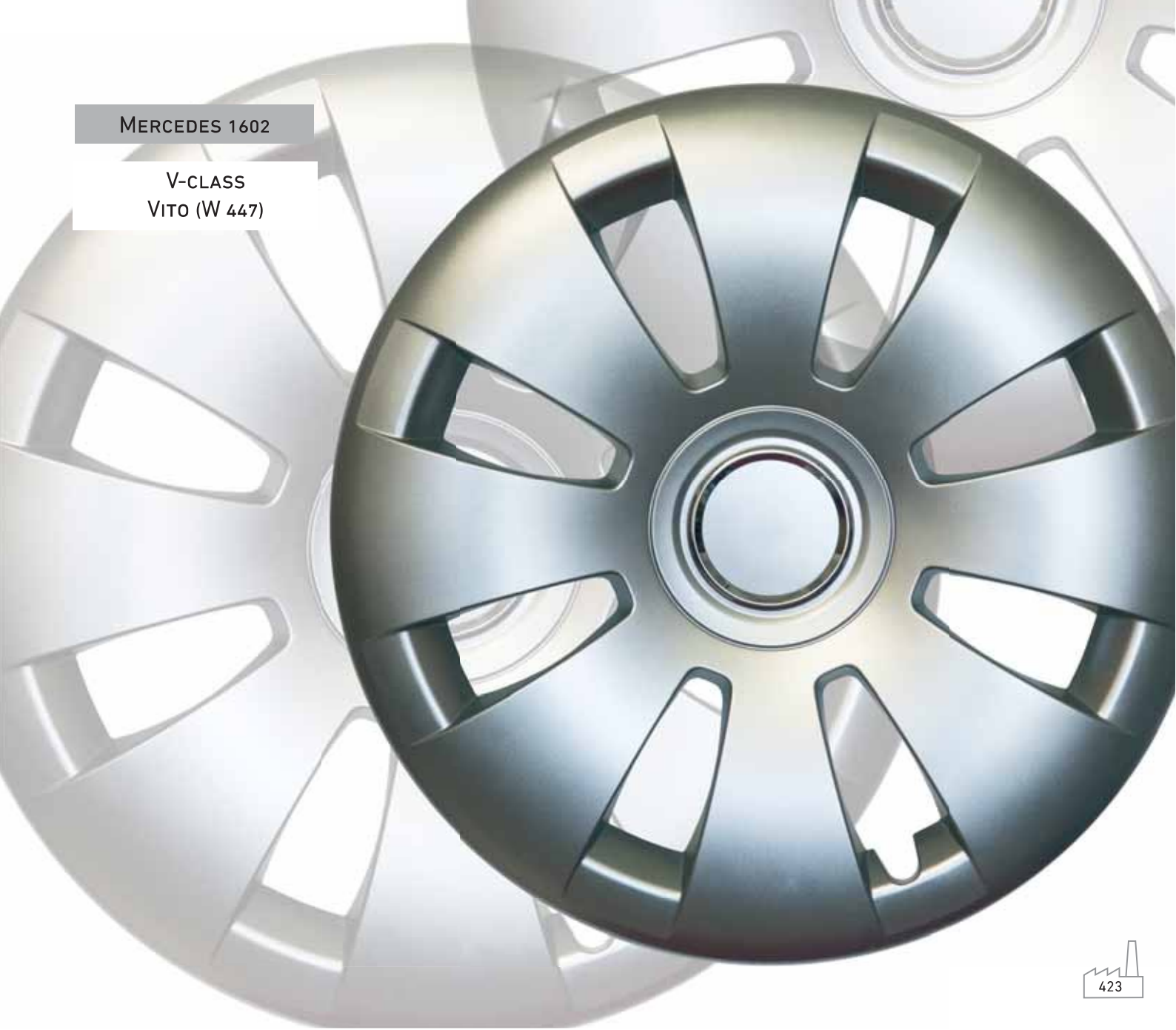
VITO (W 639)
C (W 204)





MERCEDES 1602

V-CLASS
VITO (W 447)





NISSAN 1601

PRIMASTAR





NISSAN 1602

NV300



OPEL 1301

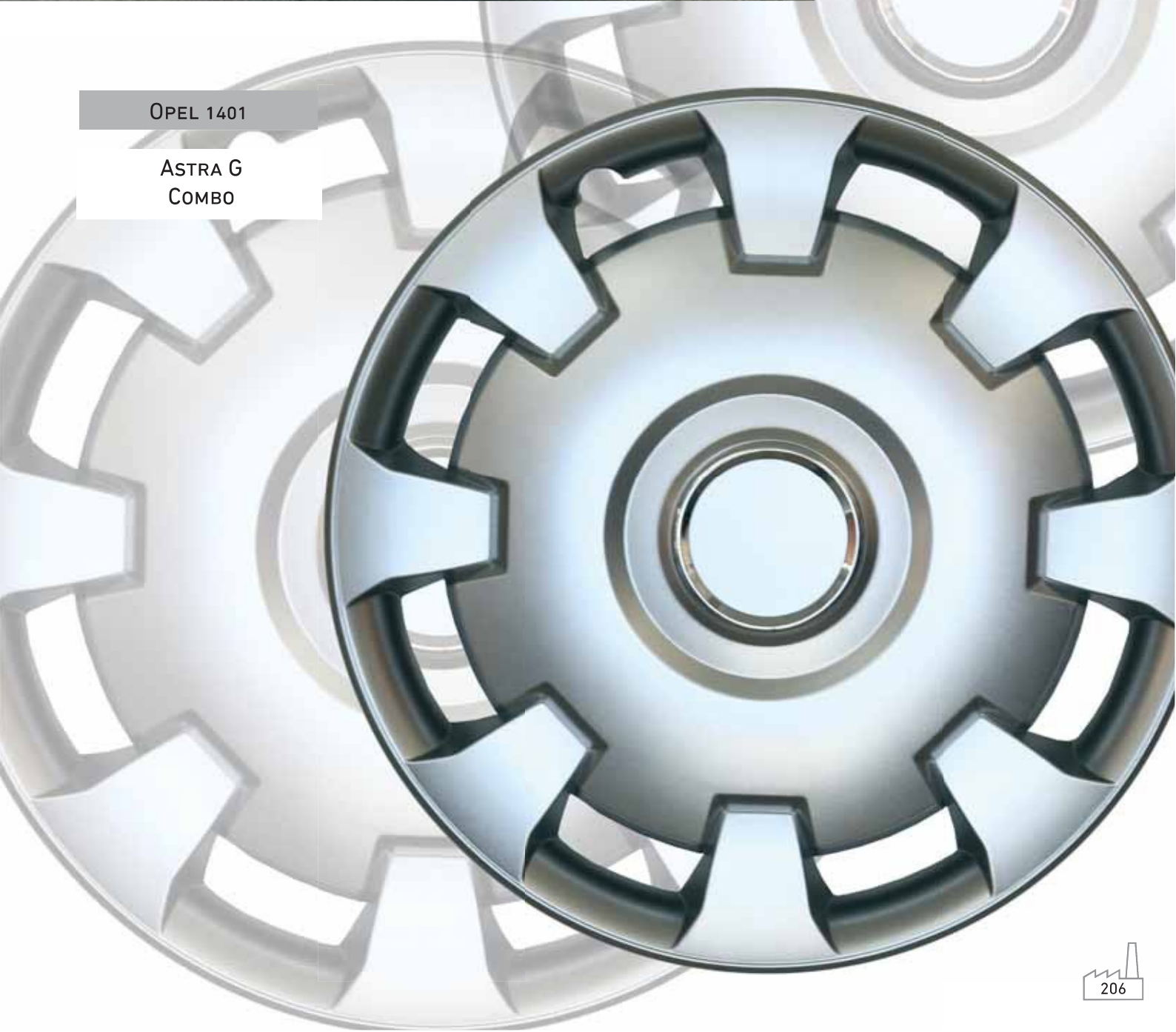
CORSA C





OPEL 1401

ASTRA G
COMBO





OPEL 1402

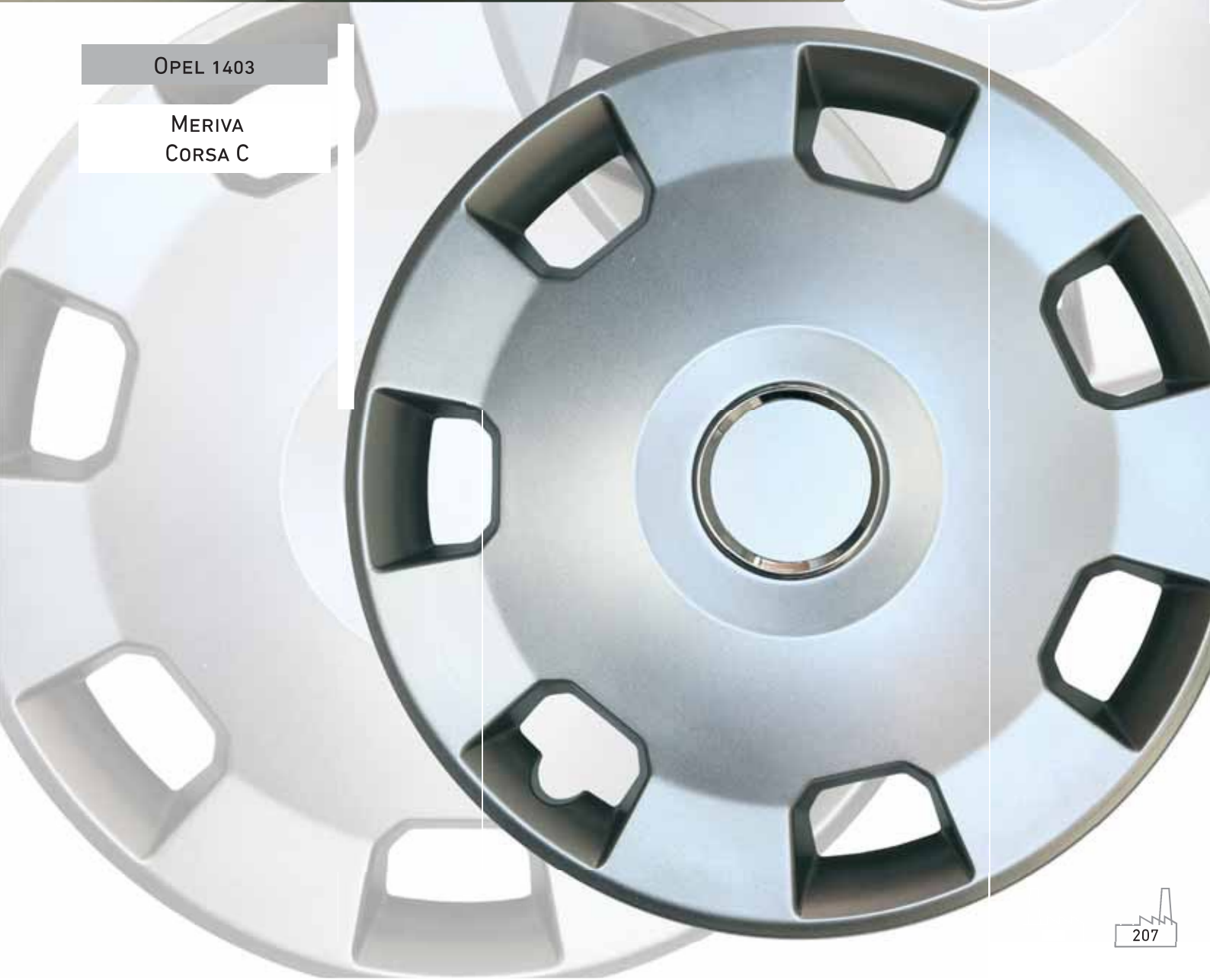
ASTRA F
VECTRA A





OPEL 1403

MERIVA
CORSA C





OPEL 1404

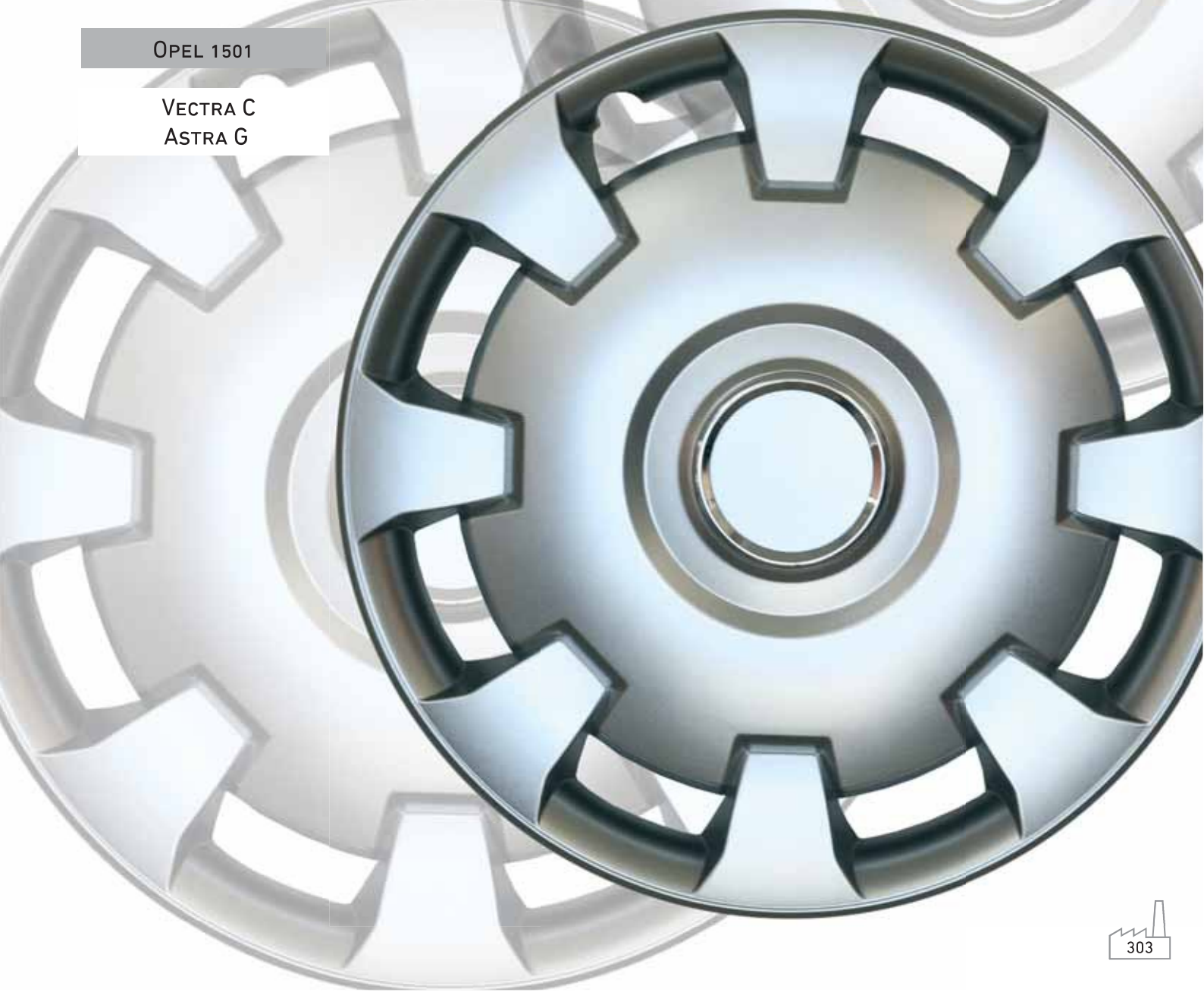
CORSA D





OPEL 1501

VECTRA C
ASTRA G





OPEL 1502

CORSA D





OPEL 1601

ASTRA H
ZAFIRA B





OPEL 1602

VIVARO





OPEL 1603

ZAFIRA B
ASTRA J



OPEL 1604

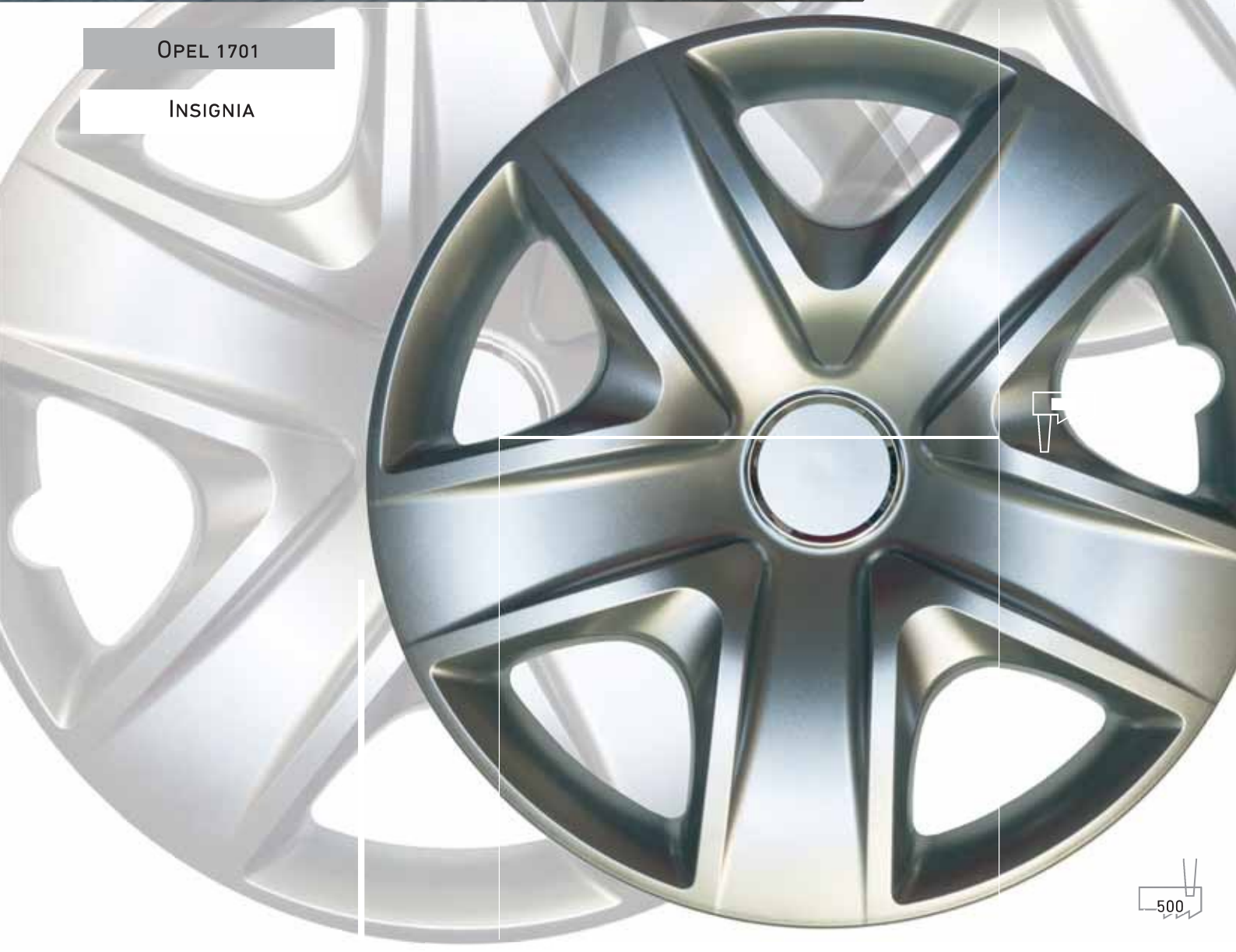
ASTRA J





OPEL 1701

INSIGNIA





PEUGEOT 1401

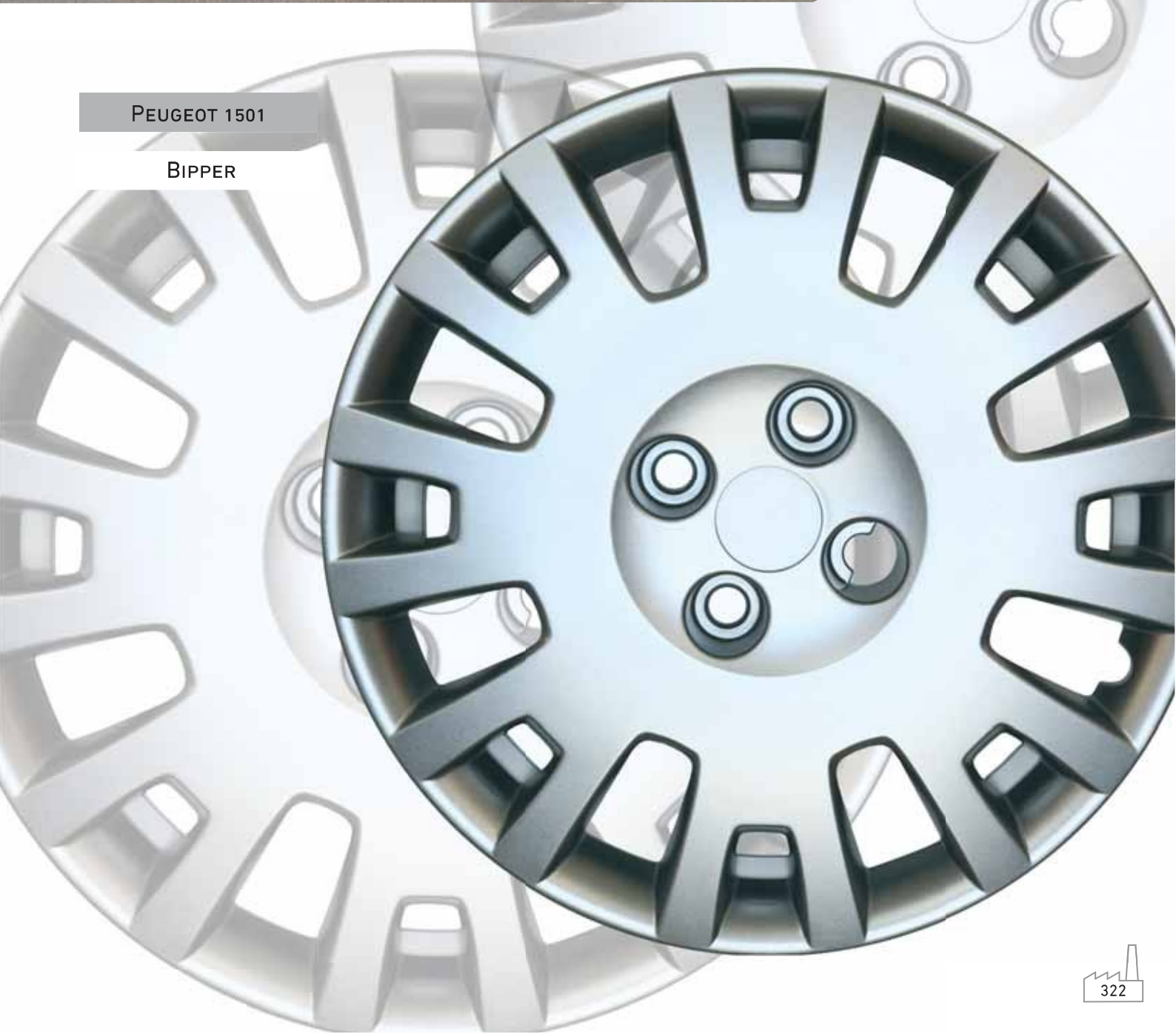
207





PEUGEOT 1501

BIPPER





PEUGEOT 1502

207





PEUGEOT 1503

207





PEUGEOT 1504

208





PEUGEOT 1505

308
PARTNER





RENAULT 1401

CLIO
TWINGO
THALIA





RENAULT 1402

KANGOO





RENAULT 1403

CLIO





RENAULT 1501

MEGANE





RENAULT 1502

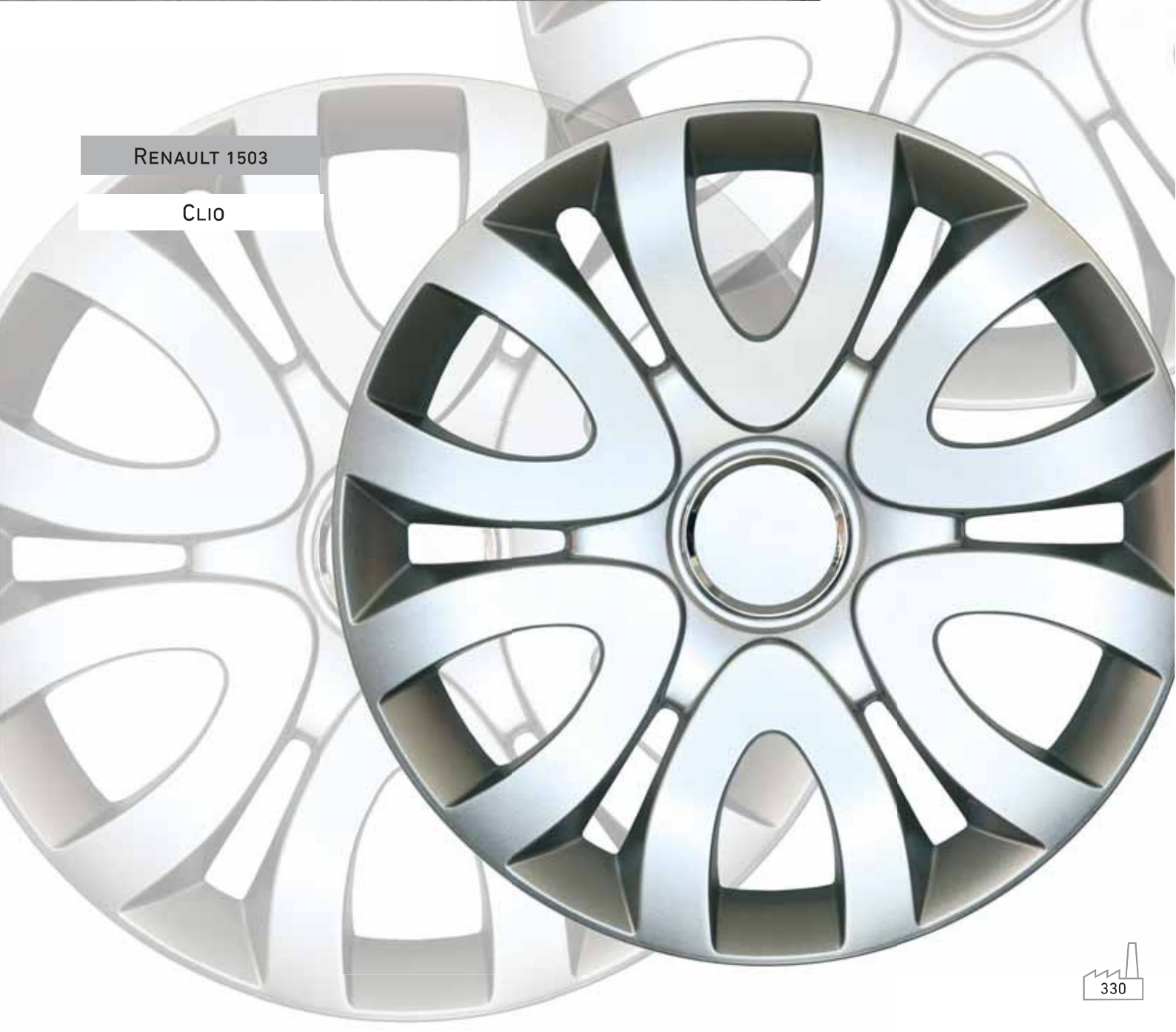
CLIO
MEGANE





RENAULT 1503

CLIO





RENAULT 1504

KANGOO
MEGANE





RENAULT 1601

TRAFIC





RENAULT 1602

MEGANE





RENAULT 1603

TRAFIC





SEAT 1301

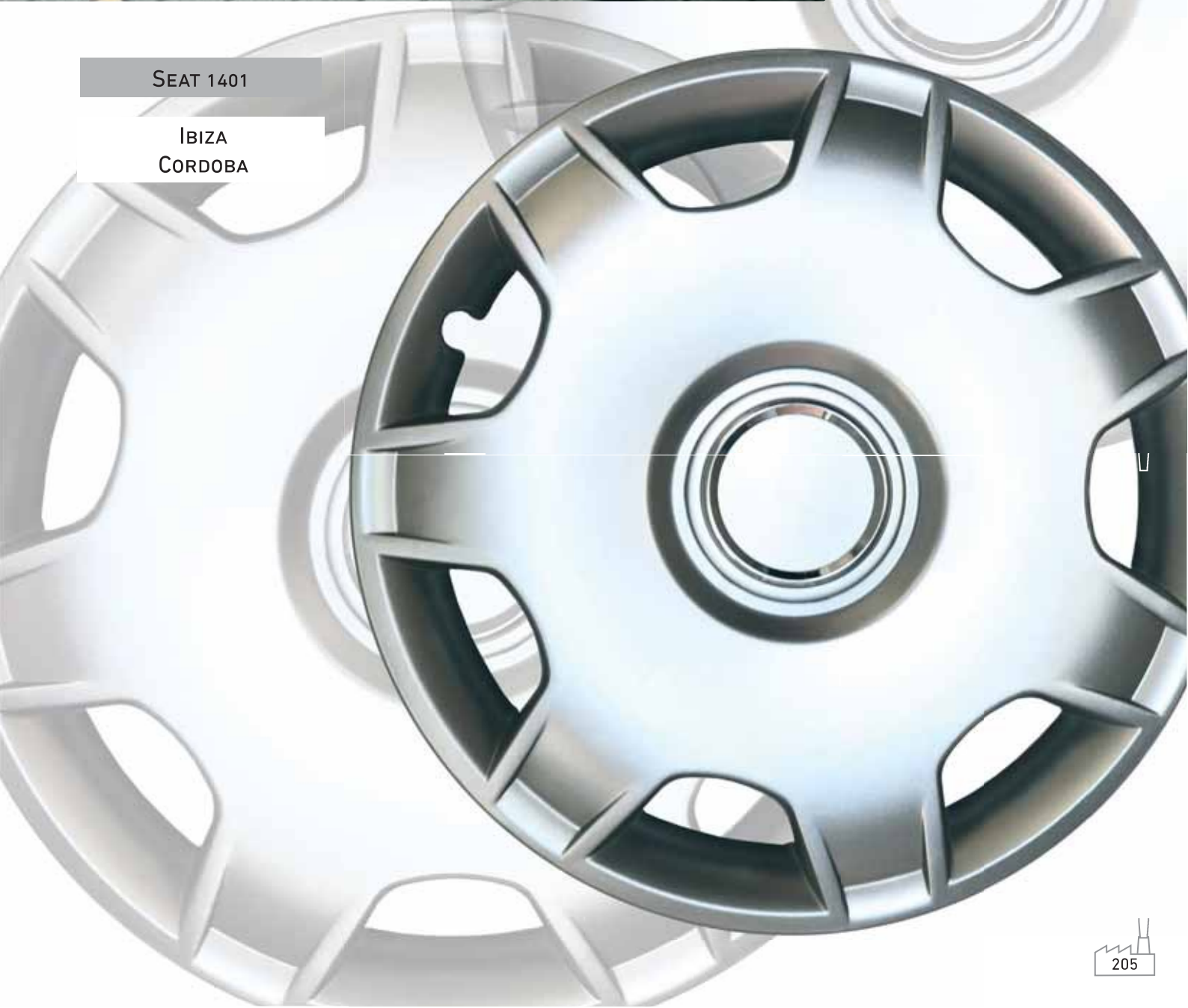
AROSA
IBIZA





SEAT 1401

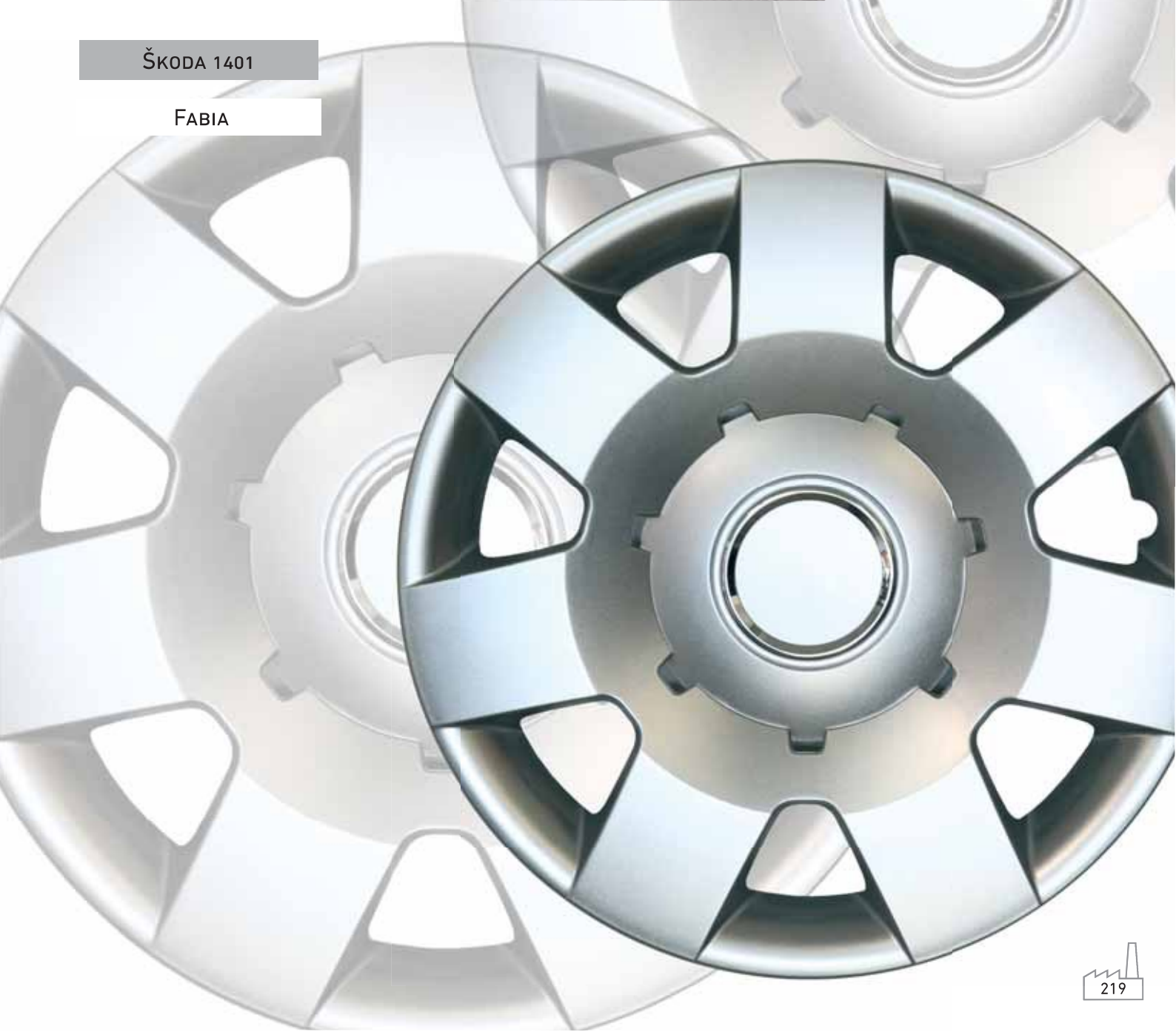
IBIZA
CORDOBA





ŠKODA 1401

FABIA





ŠKODA 150I

OCTAVIA





TOYOTA 1401

COROLLA





TOYOTA 150I

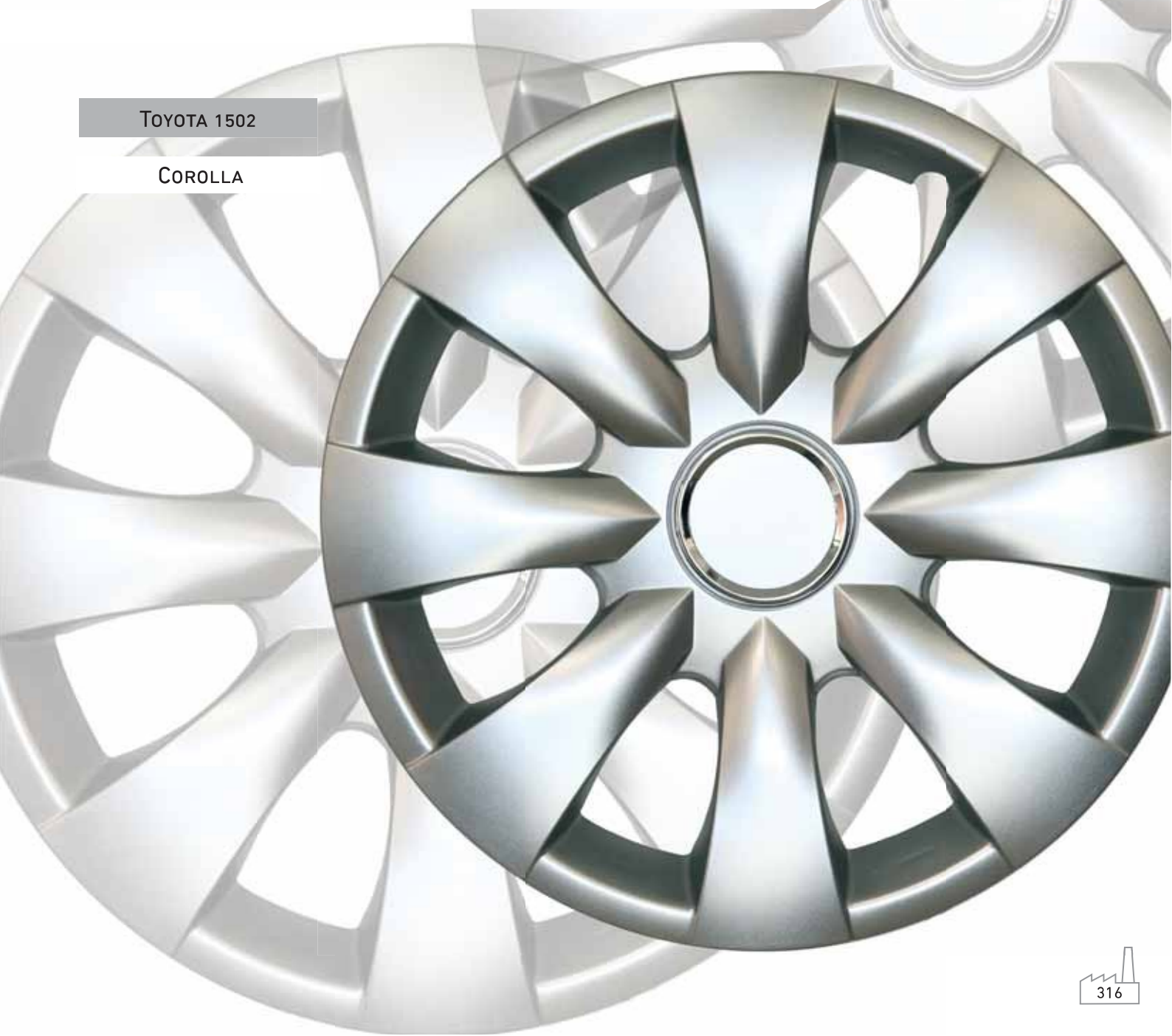
AURIS





TOYOTA 1502

COROLLA





TOYOTA 1503

YARIS





TOYOTA 1601

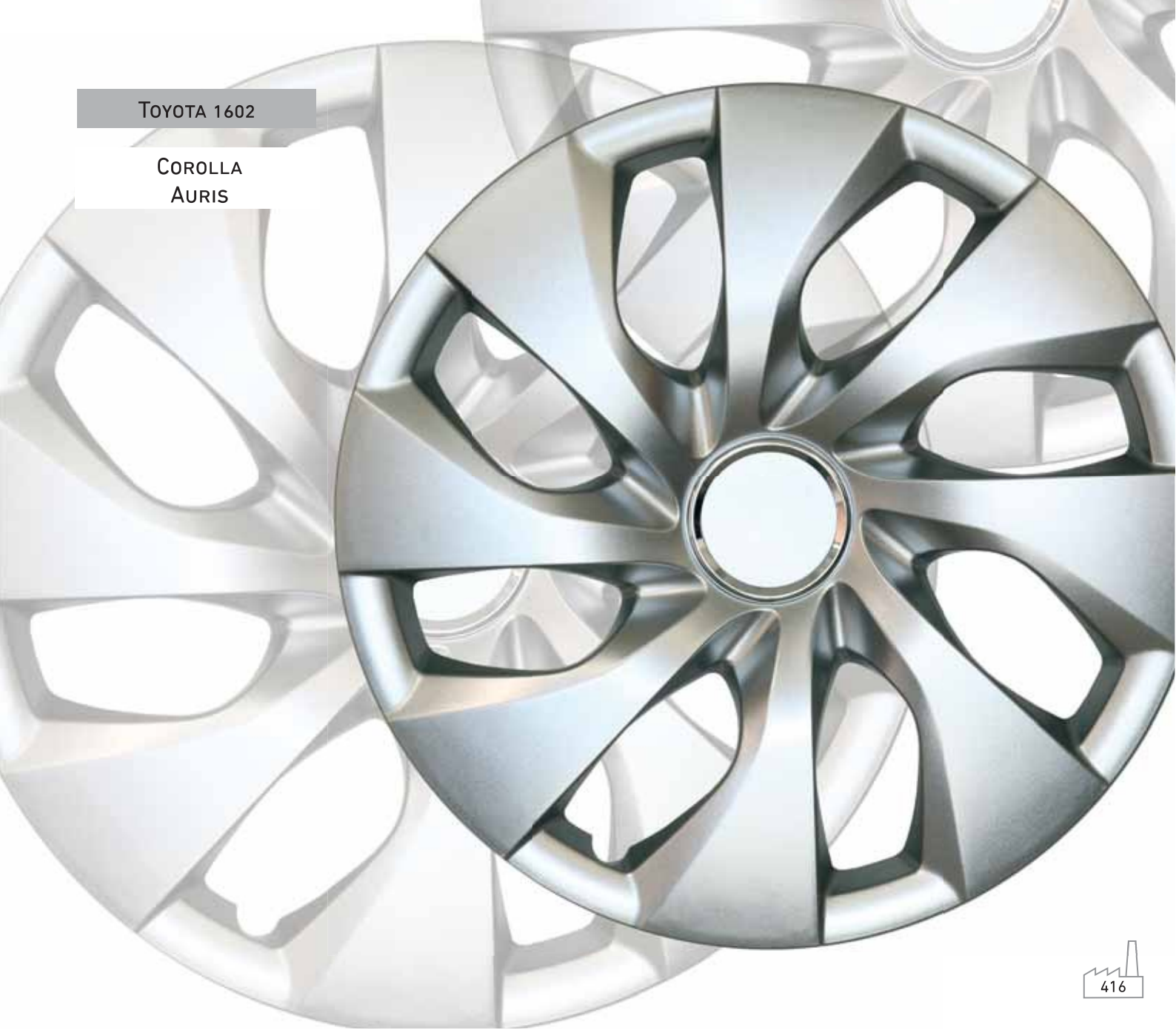
COROLLA VERSO
AVENSIS





TOYOTA 1602

COROLLA
AURIS





VW 1301

POLO





VW 1401

CADDY
POLO





VW 1402

POLO
POLO CLASSIC





VW 1403

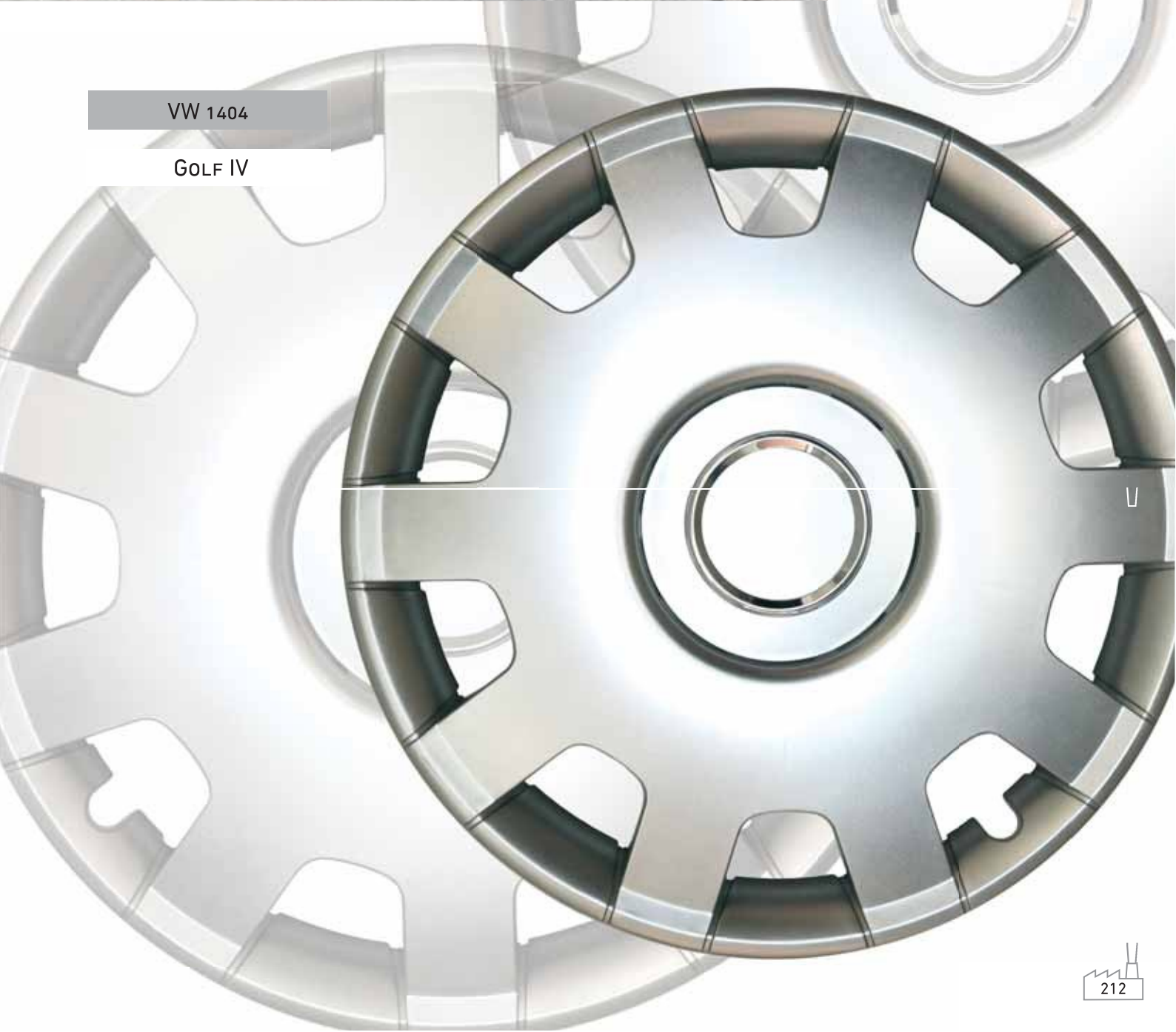
POLO





VW 1404

GOLF IV





VW 1405

POLO





VW 1501

GOLF V





VW 1502

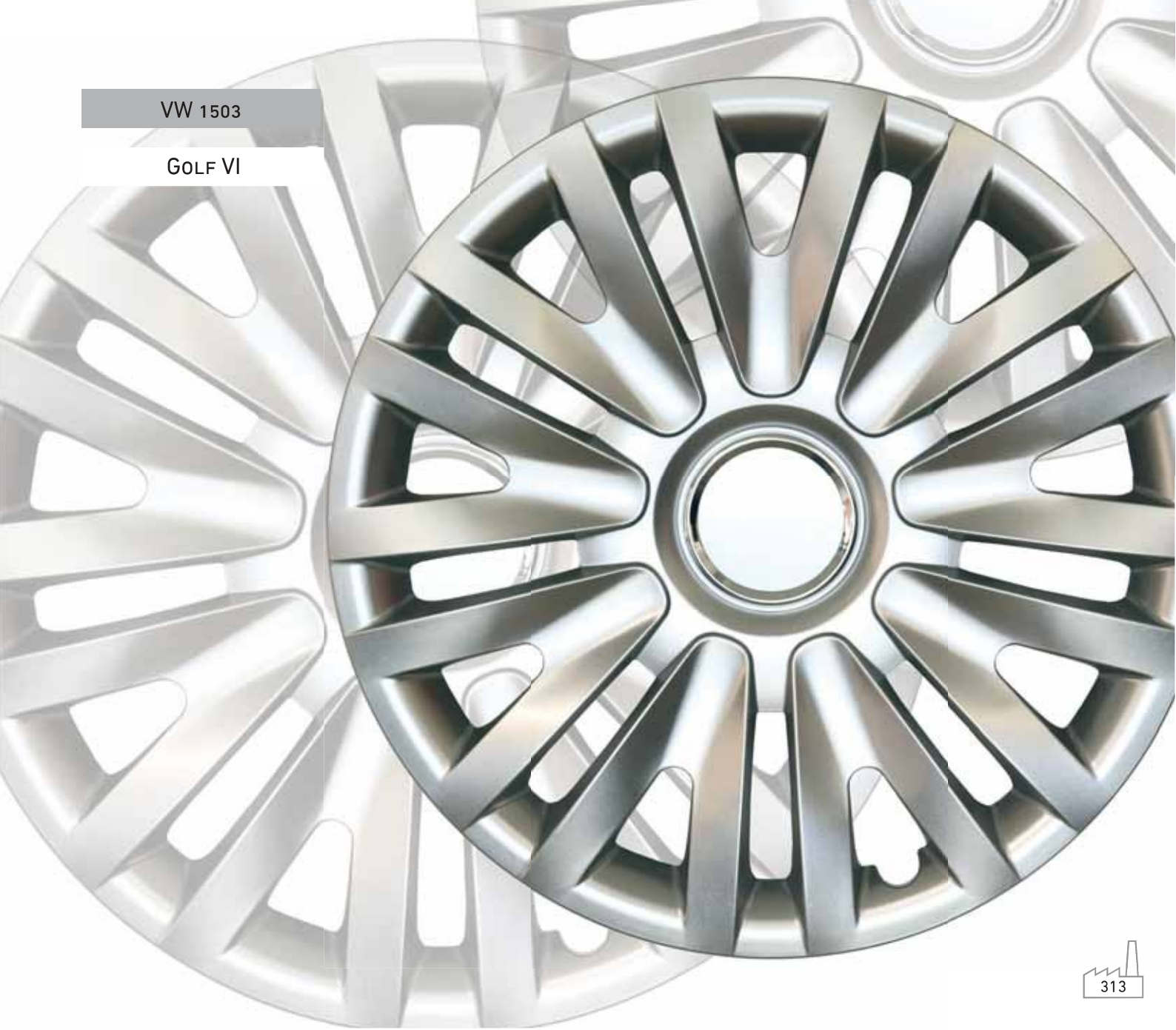
PASSAT





VW 1503

GOLF VI





VW 1504

POLO





VW 1505

TOURAN
CADDY





VW 1506

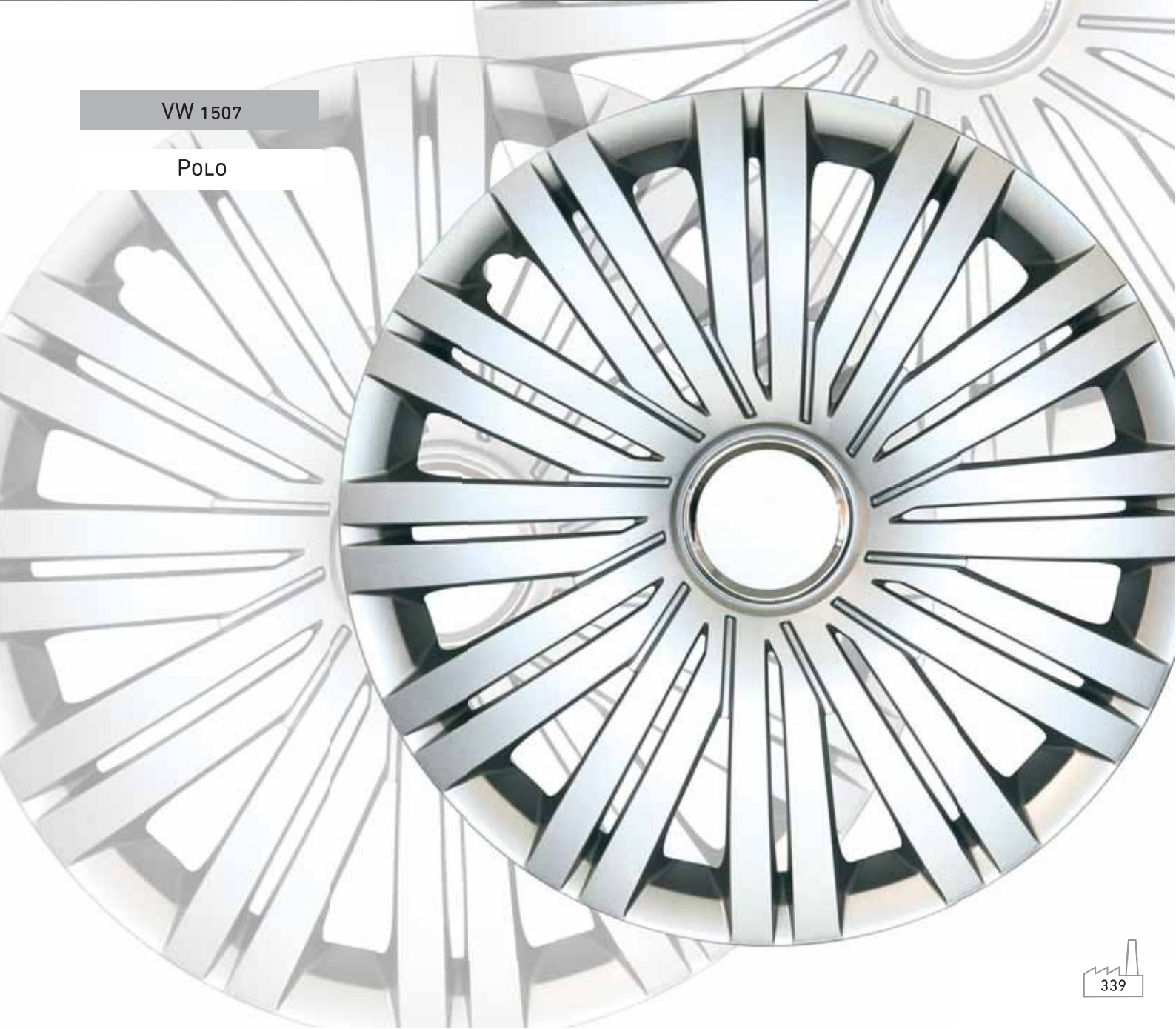
POLO





VW 1507

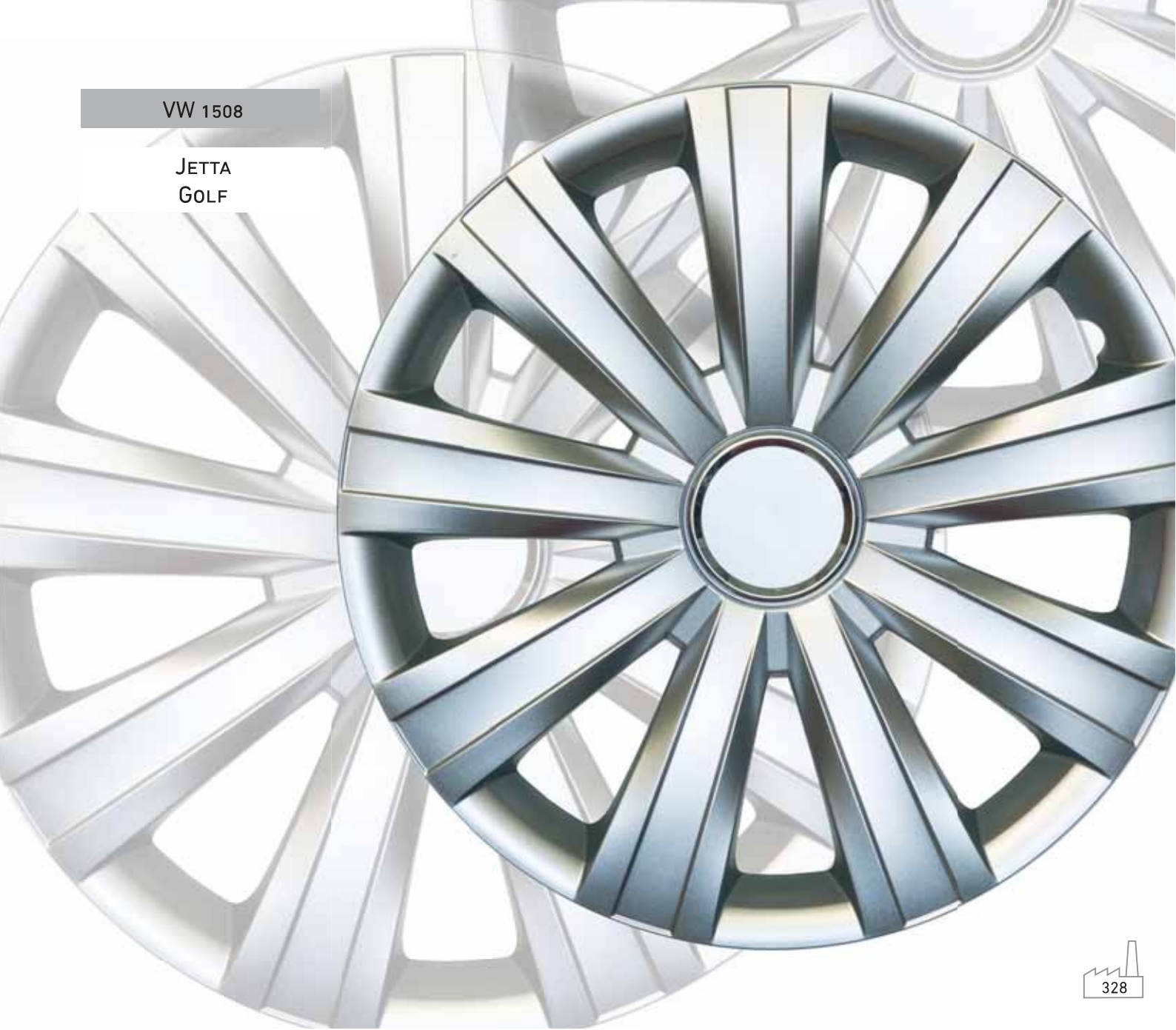
POLO





VW 1508

JETTA
GOLF





VW 1601

T-5





VW 1602

GOLF VARIANT





VW 1603

JETTA



UNIVERSAL



UNIVERSAL 12



UNIVERSAL 13



UNIVERSAL 14



KOMBI



KOMBI 15

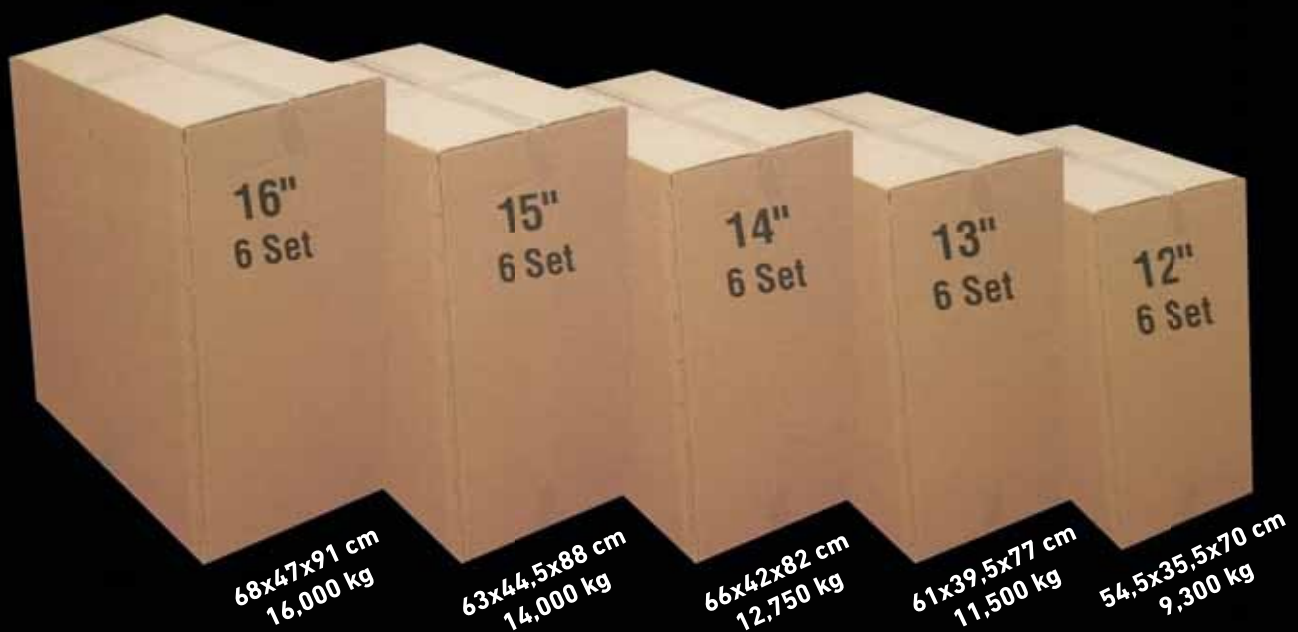


KOMBI 16



Niti jedan proizvod u ovom katalogu nije zaštićen kao industrijski dizajn pri Uredu za usklađivanje unutarnjeg tržišta (EUIPO) sa stanjem: svibanj 2018.

Any product in this Katalog are not protected as Industrial Design at European Union Intellectual Property Office (EUIPO). according state: June 2018.



Dio ukrasnog poklopca za kotače-kromirani prsten je zaštićeni industrijski dizajn
- D20120294 (DZIV) - 001436299-0001 (EUIPO).

*Part of Wheel Cover-Chromed Ring is protected Industrial Design
- D20120294 (DZIV) - 001436299-0001 (EUIPO).*

